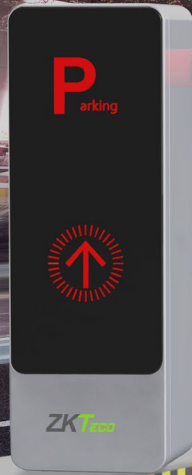


ZKT_{ECO}



UHF 5 lite

UHF 5 lite is a compact appearance, high performance, stable reading distance and faster recognition reader. Equipped with passive UHF card function, UHF card reader can adapt to vehicle management and personnel management applications.

The product also fully complies with CE, FCC and other safety certification standards

Features

- Support two working modes: Trigger to Read & Always Read (Default)
- Support different wiegand data output (Wiegand 26 by default)
- LED at the bottom of readers indicating the reading status
- Communication modes supporting Wiegand 34 and Wiegand 26
- Protection level of IP65



Long distance fixed vehicle
access management



Non-contact access control
management

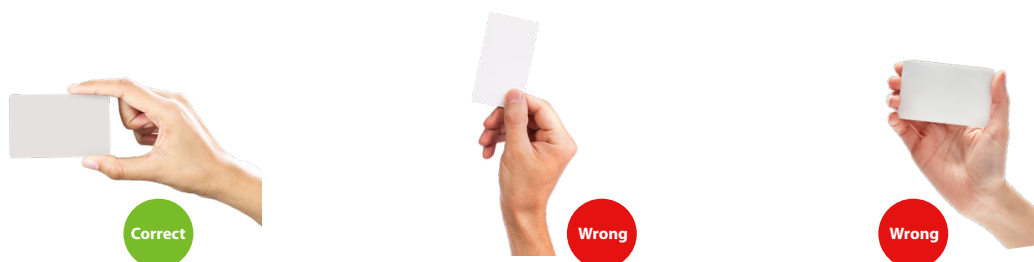


Long distance pedestrain
access management

Specifications

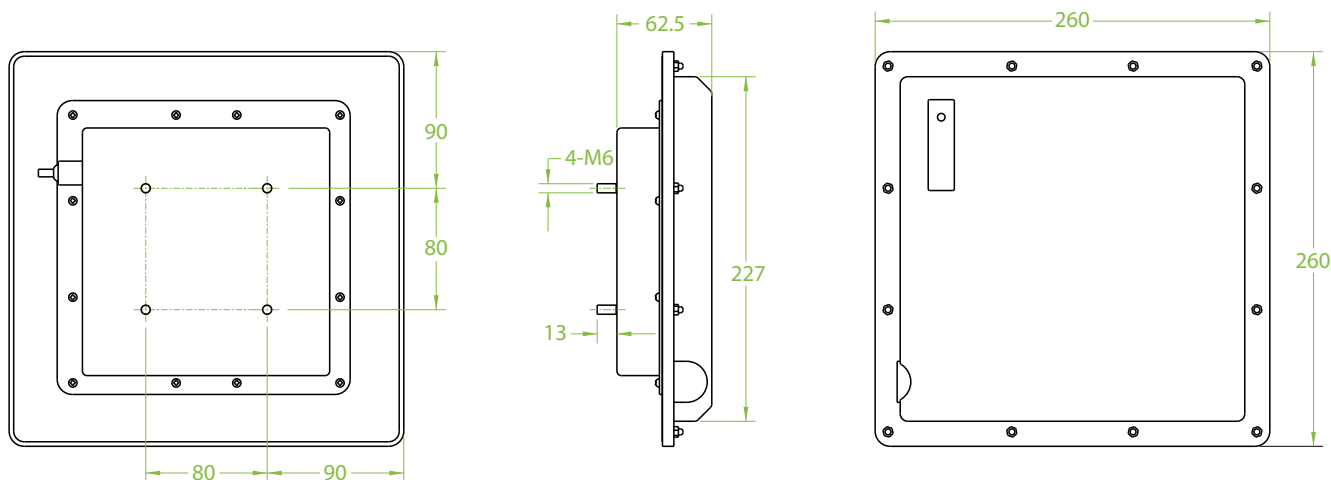
Model	UHF 5E lite & UHF 5F lite
Frequency:	F: 902MHz - 906MHz E: 865MHz - 868MHz
Recognition mode:	EPC (TID/USER option)
Reading Distance	0-8 meters
Group reading performance:	>50 tags
Interface protocol:	ISO18000-6B, ISO18000-6C (EPC GEN2) protocol electronic labels
Working Mode	Read Always (Default) and Read by Trigger
Output Power	19dBm - 30dBm Power demo adjustable
Antenna parameters:	9dBi circularly polarized antenna
Communication Interface	Wiegand; USB configuration parameters (RS485 WiFi TCP/IP option)
Identification prompt:	Buzzer or LED flashing
Working Voltage	DC 9-15V 2A
Working Temperature and Humidity	-20°C-70°C, ≤95%
Storage Temperature and Humidity	-40°C~ +125°C
Dimensions (mm)	260*260*62.5mm/ 305*305*20mm
Weight	1.1kg
Protection Level	IP65

Note

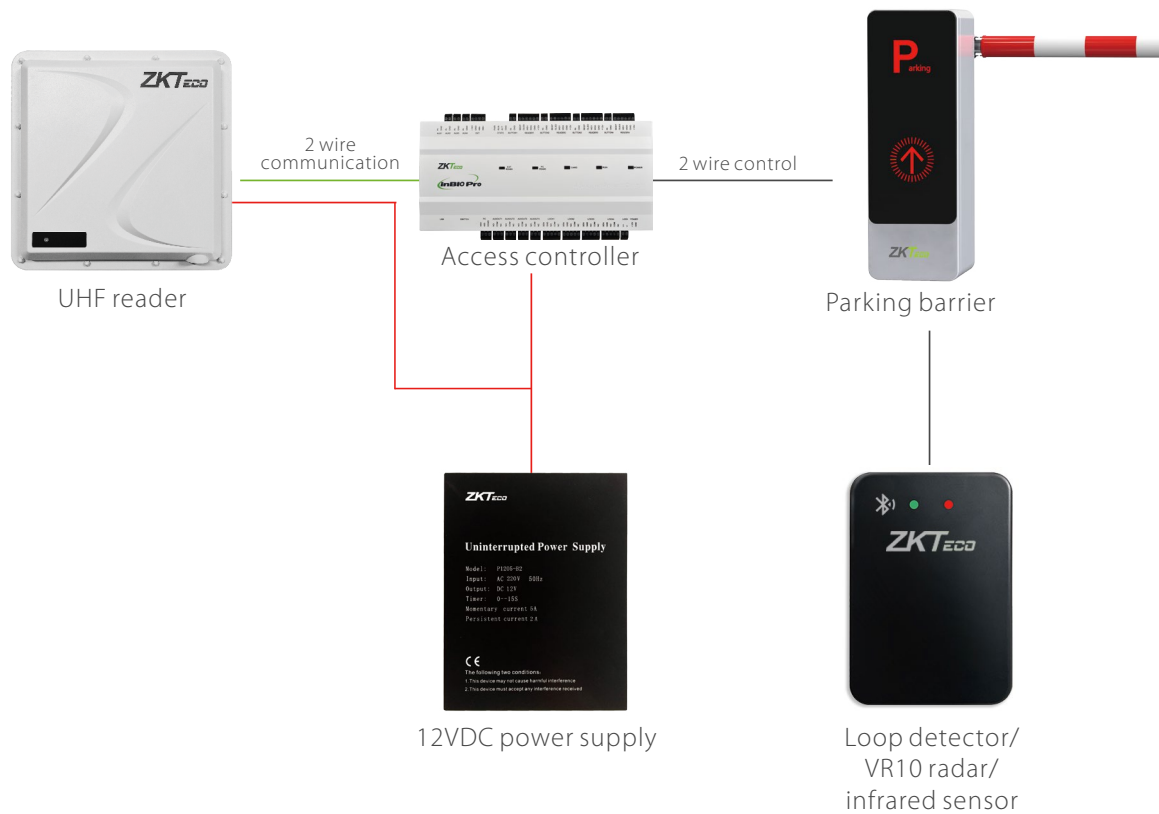


Special note: UHF reader cannot penetrate V-KOOL, 3M, or other premium solar films that contain heavy metal to read cards from inside the car.

Dimensions (mm)



Wiring diagram



Related products

BGM1000



Combining with the reader to manage access control

BGM2000



The card number can be changed as required

UR30RW



VR10 Pro



When the reader is in the trigger mode, it will activate the card reading function

